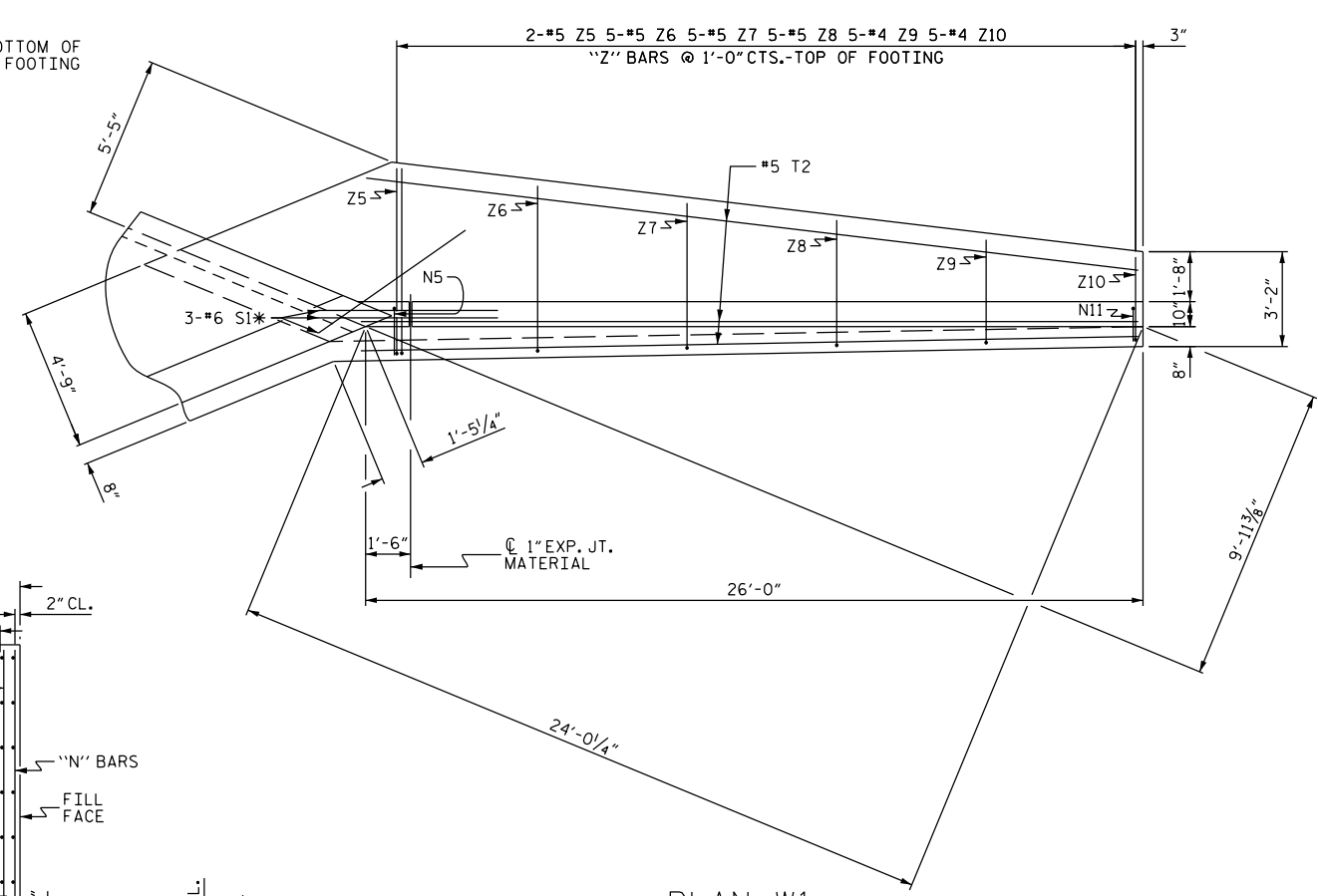
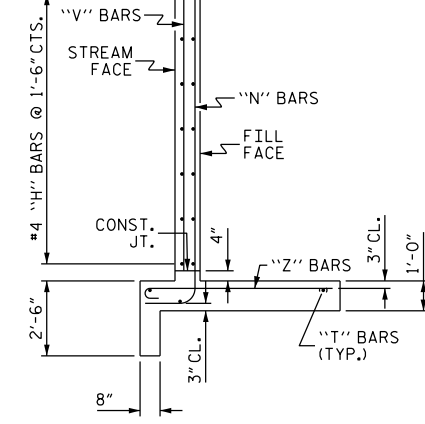


PLAN W2

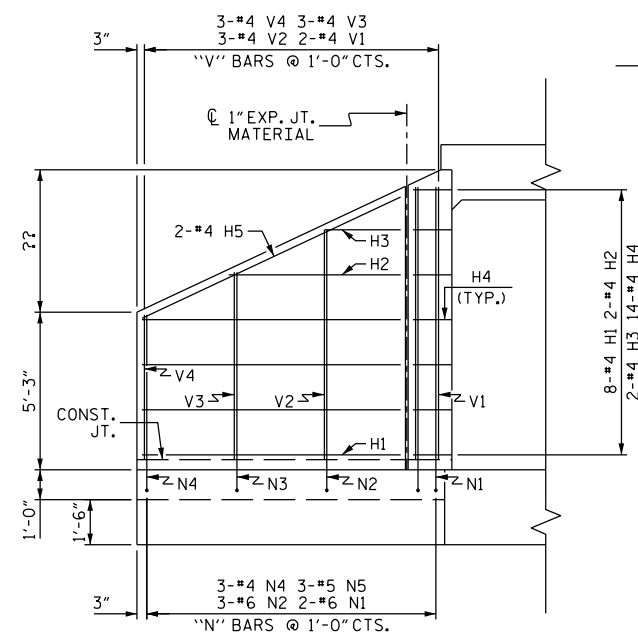


PLAN W1

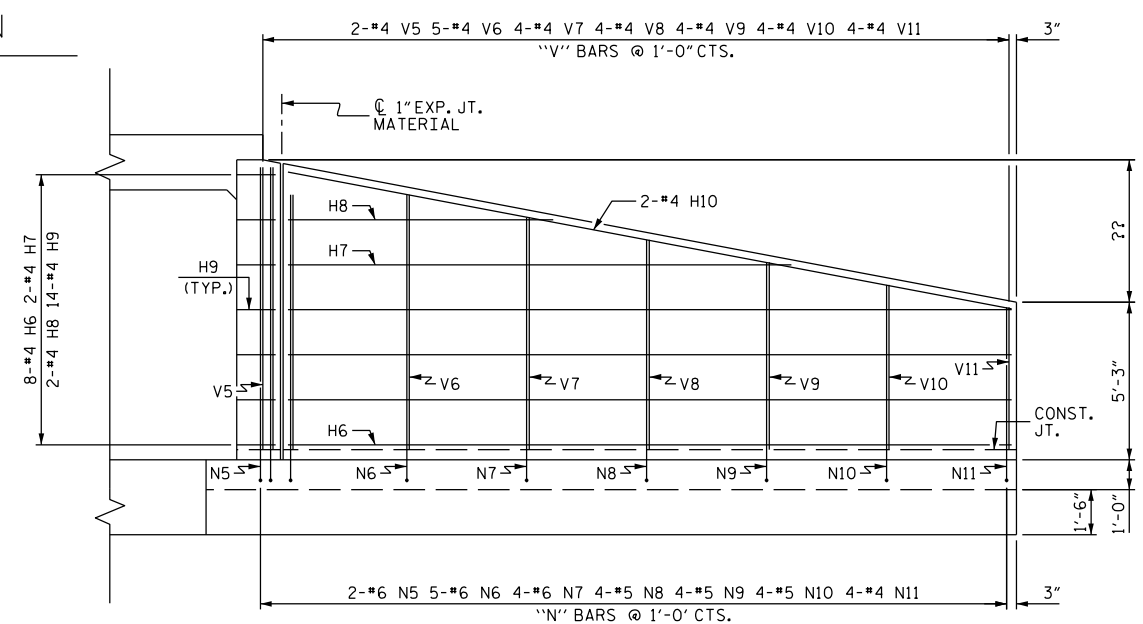
\* SI BARS @ BOTTOM OF FLOOR SLAB & FOOTING



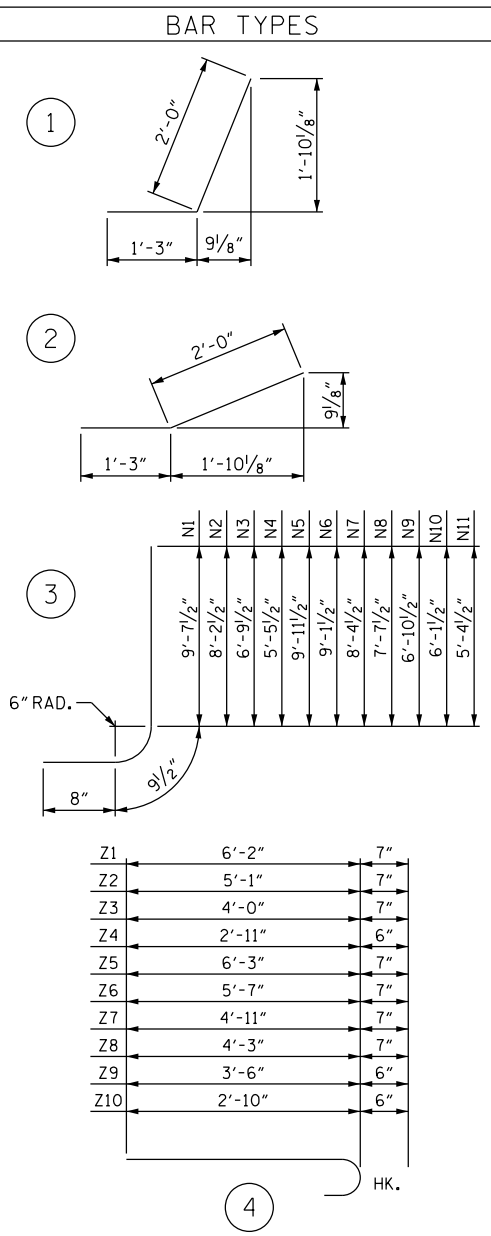
TYPICAL WING SECTION



ELEVATION W2



ELEVATION W1



ALL BAR DIMENSIONS ARE OUT TO OUT.

BILL OF MATERIAL					
BAR NO.	SIZE	TYPE	LENGTH	WEIGHT	
H1	#4	STR	8'-7"	92	
H2	#4	STR	5'-8"	15	
H3	#4	STR	2'-6"	7	
H4	#4	STR	3'-3"	61	
H5	#4	STR	9'-6"	25	
H6	#4	STR	24'-1"	257	
H7	#4	STR	16'-9"	45	
H8	#4	STR	8'-10"	24	
H9	#4	STR	3'-3"	61	
H10	#4	STR	24'-6"	65	
N1	#6	3	11'-1"	67	
N2	#6	3	9'-8"	87	
N3	#5	3	8'-3"	52	
N4	#4	3	6'-11"	28	
N5	#6	3	11'-5"	69	
N6	#6	3	10'-7"	159	
N7	#6	3	9'-10"	118	
N8	#5	3	9'-1"	76	
N9	#5	3	8'-4"	70	
N10	#5	3	7'-7"	63	
N11	#4	3	6'-10"	37	
S1	#6	STR	6'-0"	108	
T1	#5	STR	10'-6"	66	
T2	#5	STR	26'-0"	163	
V1	#4	STR	9'-1"	24	
V2	#4	STR	7'-8"	31	
V3	#4	STR	6'-3"	25	
V4	#4	STR	4'-10"	19	
V5	#4	STR	9'-5"	25	
V6	#4	STR	8'-6"	57	
V7	#4	STR	7'-9"	41	
V8	#4	STR	7'-0"	37	
V9	#4	STR	6'-3"	33	
V10	#4	STR	5'-6"	29	
V11	#4	STR	4'-9"	25	
Z1	#5	4	6'-9"	28	
Z2	#5	4	5'-8"	35	
Z3	#5	4	4'-7"	29	
Z4	#4	4	3'-5"	14	
Z5	#5	4	6'-10"	29	
Z6	#5	4	6'-2"	64	
Z7	#5	4	5'-6"	57	
Z8	#5	4	4'-10"	50	
Z9	#4	4	4'-0"	27	
Z10	#4	4	3'-4"	22	
REINFORCING STEEL FOR 4 WINGS				2516 LBS	
CLASS A CONCRETE					
4 WINGS				36.1	CY
2 HEADWALLS					CY
2 END CURTAIN WALLS					CY
TOTAL					CY

PROJECT NO. \_\_\_\_\_ COUNTY \_\_\_\_\_

STATION: \_\_\_\_\_

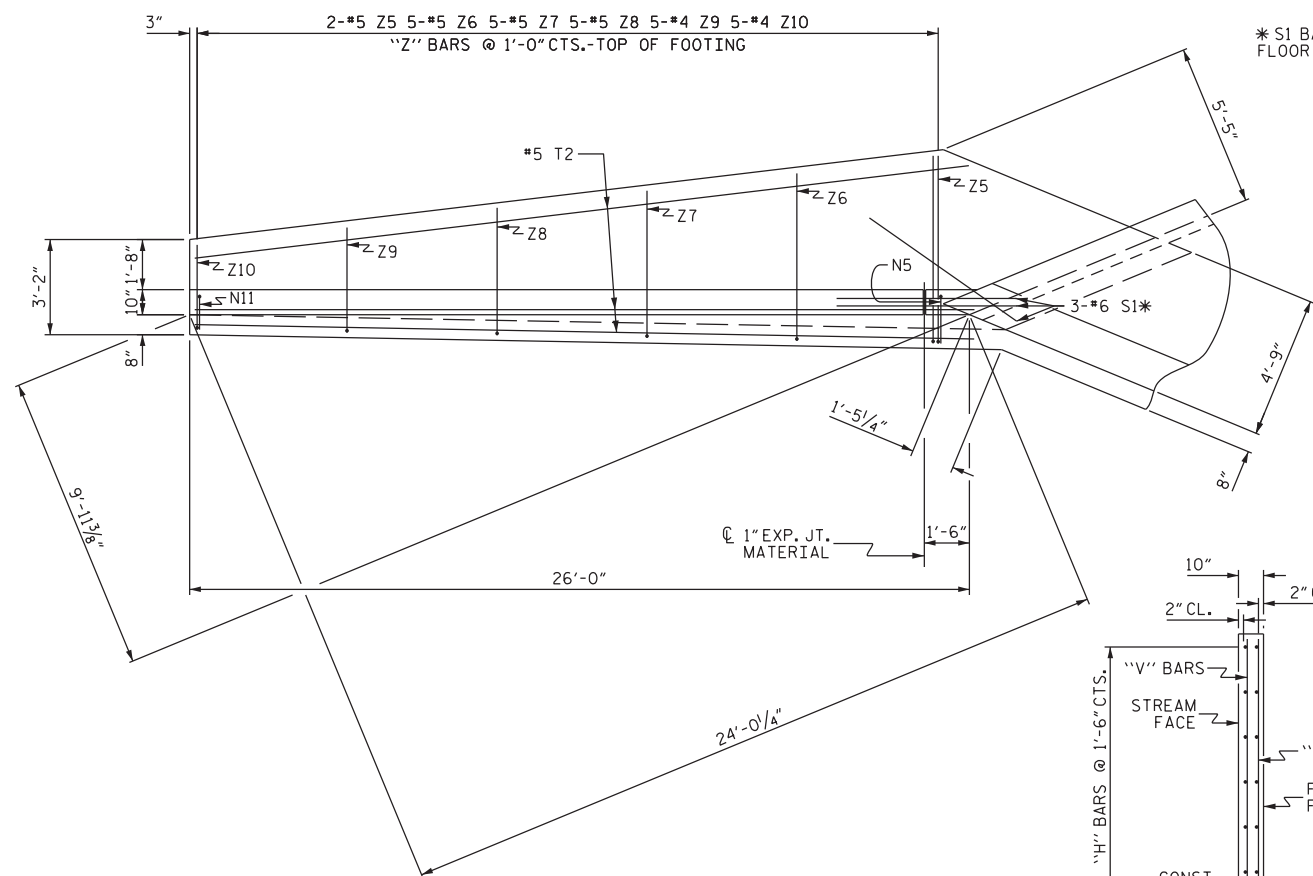
SHEET \_\_\_\_\_ OF \_\_\_\_\_

STATE OF NORTH CAROLINA  
DEPARTMENT OF TRANSPORTATION  
RALEIGH  
STANDARD WINGS  
FOR SINGLE BARREL  
CONCRETE BOX CULVERT  
H = 9'-0" SLOPE = 2:1  
45° SKEW

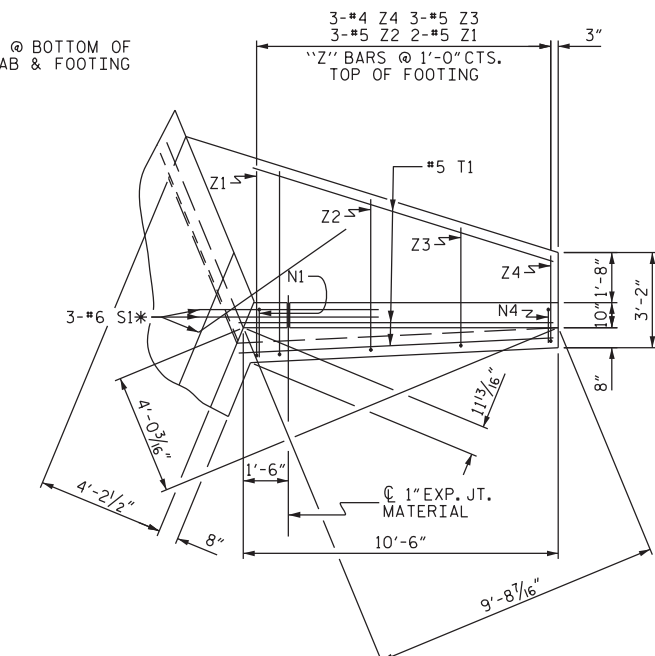
ASSEMBLED BY : \_\_\_\_\_ DATE : \_\_\_\_\_  
CHECKED BY : \_\_\_\_\_ DATE : \_\_\_\_\_  
DRAWN BY : C CJ 01/00 REV. 6/19 MAA/THC  
CHECKED BY : R W W 03/00

REVISIONS						SHEET NO.
NO.	BY:	DATE:	NO.	BY:	DATE:	TOTAL SHEETS
1			3			
2			4			

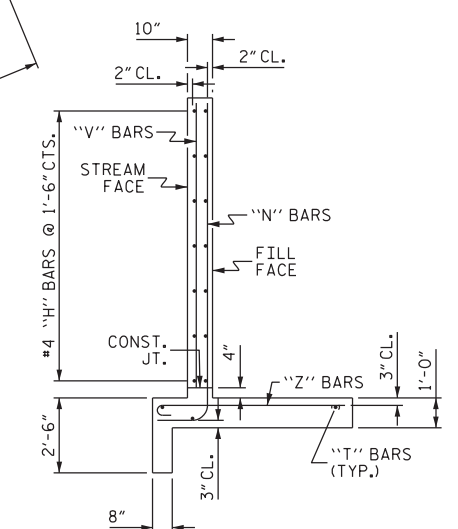
DOCUMENT NOT CONSIDERED FINAL UNLESS ALL SIGNATURES COMPLETED



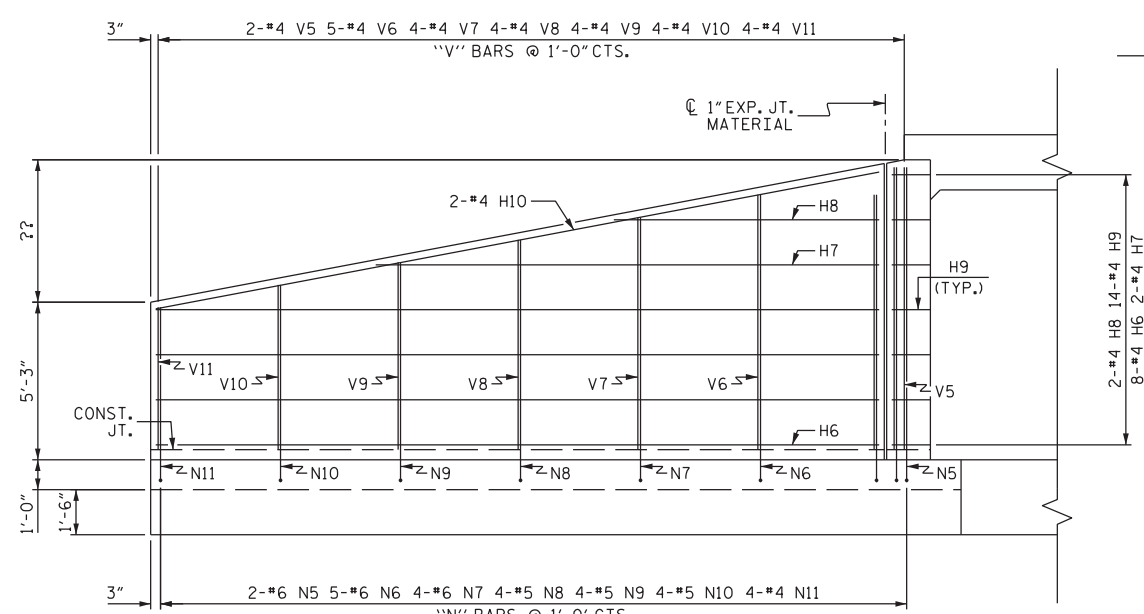
PLAN W1



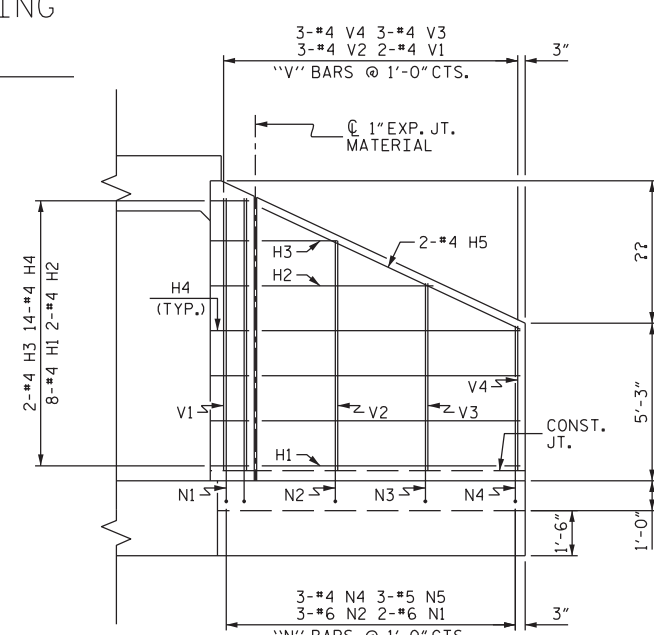
PLAN W2



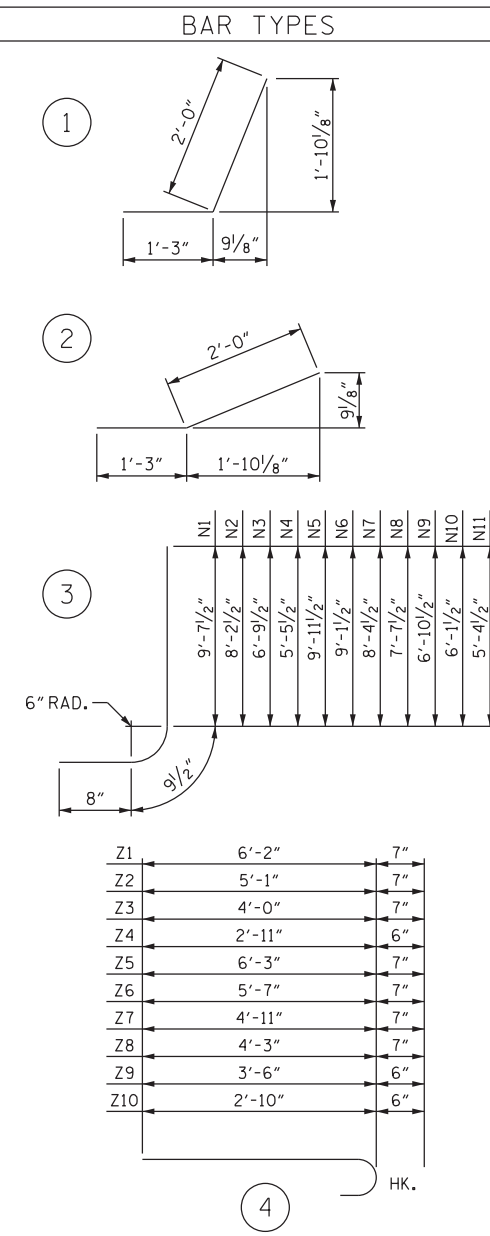
TYPICAL WING SECTION



ELEVATION W1



ELEVATION W2



ALL BAR DIMENSIONS ARE OUT TO OUT.

BILL OF MATERIAL					
BAR	NO.	SIZE	TYPE	LENGTH	WEIGHT
H1	16	#4	STR	8'-7"	92
H2	4	#4	STR	5'-8"	15
H3	4	#4	STR	2'-6"	7
H4	28	#4	1	3'-3"	61
H5	4	#4	STR	9'-6"	25
H6	16	#4	STR	24'-1"	257
H7	4	#4	STR	16'-9"	45
H8	4	#4	STR	8'-10"	24
H9	28	#4	2	3'-3"	61
H10	4	#4	STR	24'-6"	65
N1	4	#6	3	11'-1"	67
N2	6	#6	3	9'-8"	87
N3	6	#5	3	8'-3"	52
N4	6	#4	3	6'-11"	28
N5	4	#6	3	11'-5"	69
N6	10	#6	3	10'-7"	159
N7	8	#6	3	9'-10"	118
N8	8	#5	3	9'-1"	76
N9	8	#5	3	8'-4"	70
N10	8	#5	3	7'-7"	63
N11	8	#4	3	6'-10"	37
S1	12	#6	STR	6'-0"	108
T1	6	#5	STR	10'-6"	66
T2	6	#5	STR	26'-0"	163
V1	4	#4	STR	9'-1"	24
V2	6	#4	STR	7'-8"	31
V3	6	#4	STR	6'-3"	25
V4	6	#4	STR	4'-10"	19
V5	4	#4	STR	9'-5"	25
V6	10	#4	STR	8'-6"	57
V7	8	#4	STR	7'-9"	41
V8	8	#4	STR	7'-0"	37
V9	8	#4	STR	6'-3"	33
V10	8	#4	STR	5'-6"	29
V11	8	#4	STR	4'-9"	25
Z1	4	#5	4	6'-9"	28
Z2	6	#5	4	5'-8"	35
Z3	6	#5	4	4'-7"	29
Z4	6	#4	4	3'-5"	14
Z5	4	#5	4	6'-10"	29
Z6	10	#5	4	6'-2"	64
Z7	10	#5	4	5'-6"	57
Z8	10	#5	4	4'-10"	50
Z9	10	#4	4	4'-0"	27
Z10	10	#4	4	3'-4"	22
REINFORCING STEEL FOR 4 WINGS					2516 LBS
CLASS A CONCRETE					
4 WINGS					36.1 CY
2 HEADWALLS					CY
2 END CURTAIN WALLS					CY
TOTAL					CY

PROJECT NO. \_\_\_\_\_ COUNTY \_\_\_\_\_

STATION: \_\_\_\_\_

SHEET \_ OF \_

STATE OF NORTH CAROLINA  
DEPARTMENT OF TRANSPORTATION  
RALEIGH  
STANDARD WINGS  
FOR SINGLE BARREL  
CONCRETE BOX CULVERT  
H = 9'-0" SLOPE = 2:1  
135° SKEW

ASSEMBLED BY : -	DATE : -
CHECKED BY : -	DATE : -
DRAWN BY : CCJ 01/00	REV. 6/19 MAA/THC
CHECKED BY : RWW 03/00	

REVISIONS						SHEET NO.
NO.	BY:	DATE:	NO.	BY:	DATE:	TOTAL SHEETS
1			3			
2			4			